

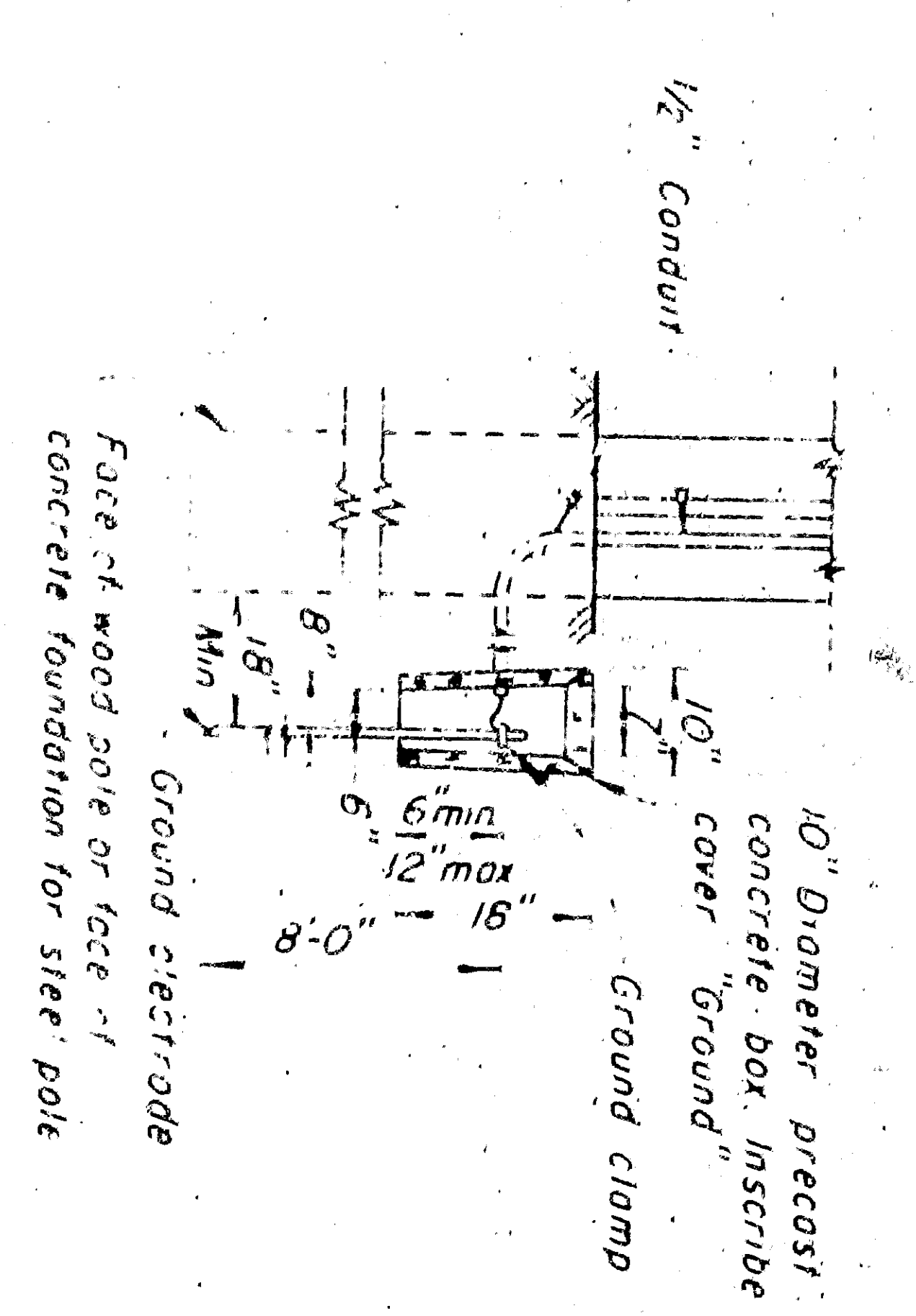
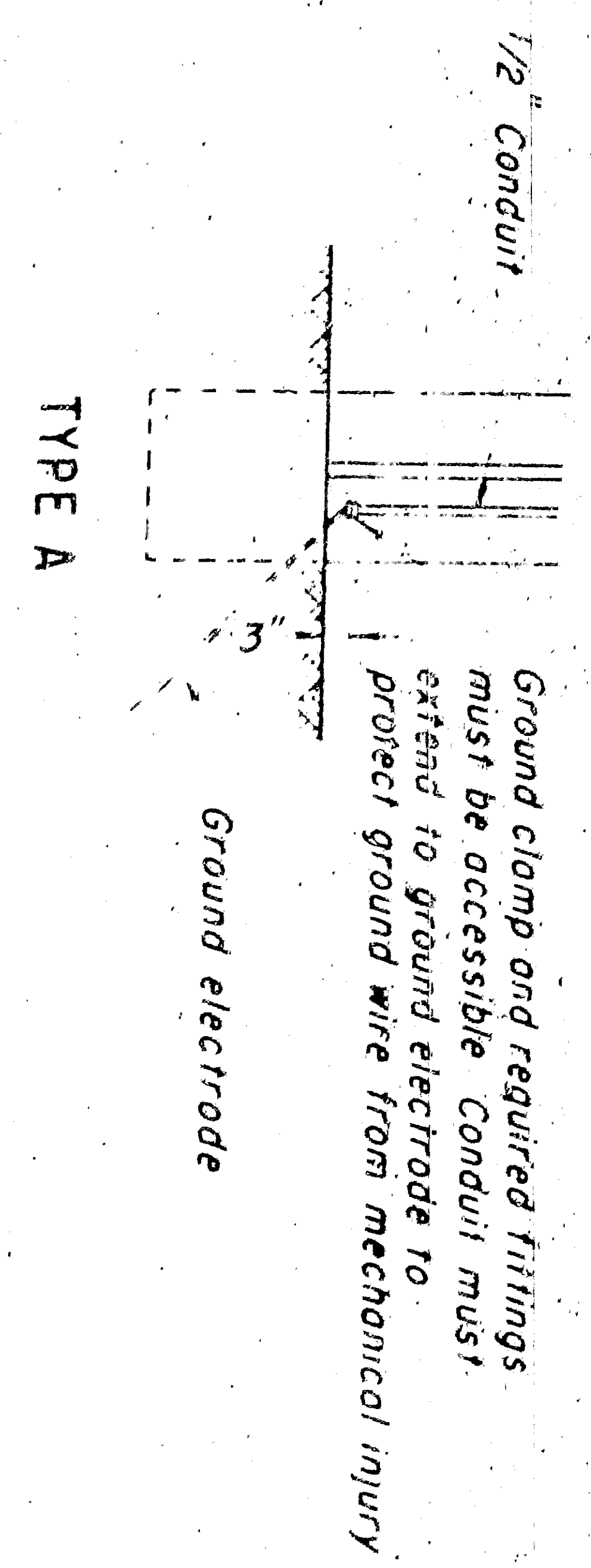
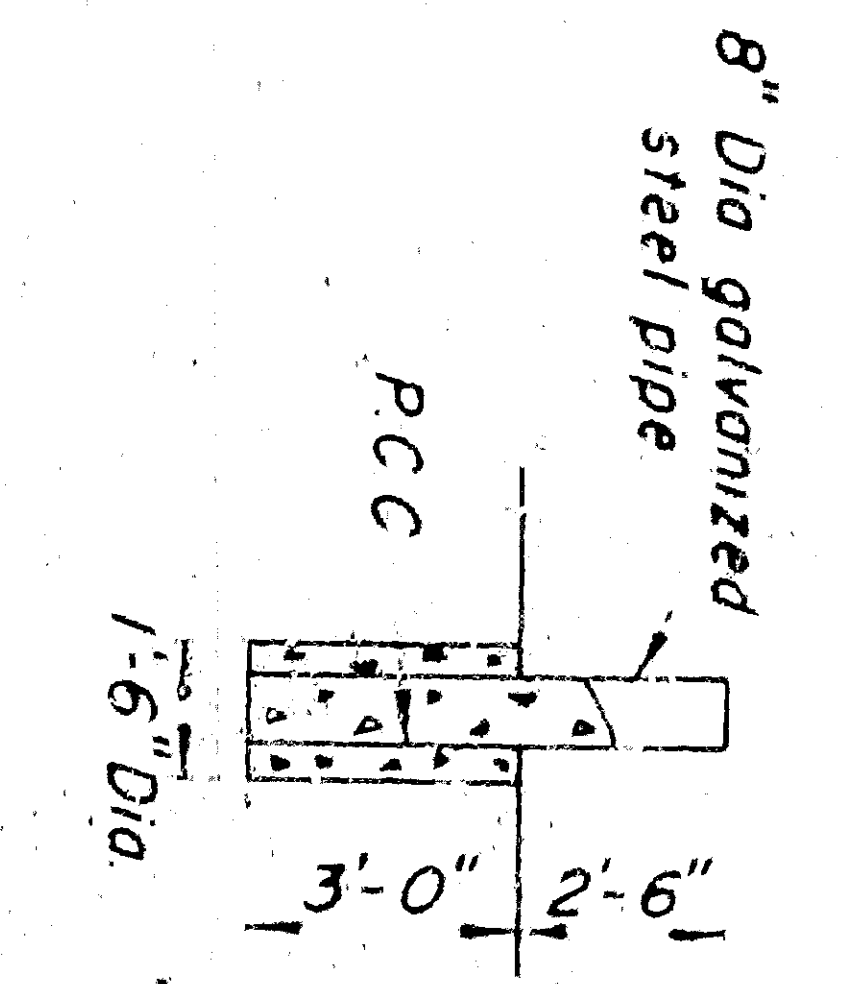
- Notes:
1. Position of service equipment to be determined by serving utility.
 2. See "Service Grounding" detail.
 3. If service pole is utility owned, service riser shall be furnished by contractor and installed by serving utility. On state owned poles, the service riser shall be furnished and installed by contractor. Service riser conduit shall be terminated with a service head or shall be sealed to prevent the entrance of water, as approved by serving utility.
 4. Service switch
 5. Flashing beacon control with service switch
 6. Meter socket box with either manual circuit closing device or space for test block as specified.

ELECTRICAL AND TELEPHONE SERVICE DETAILS

NO SCALE

GUARD POST

NO SCALE



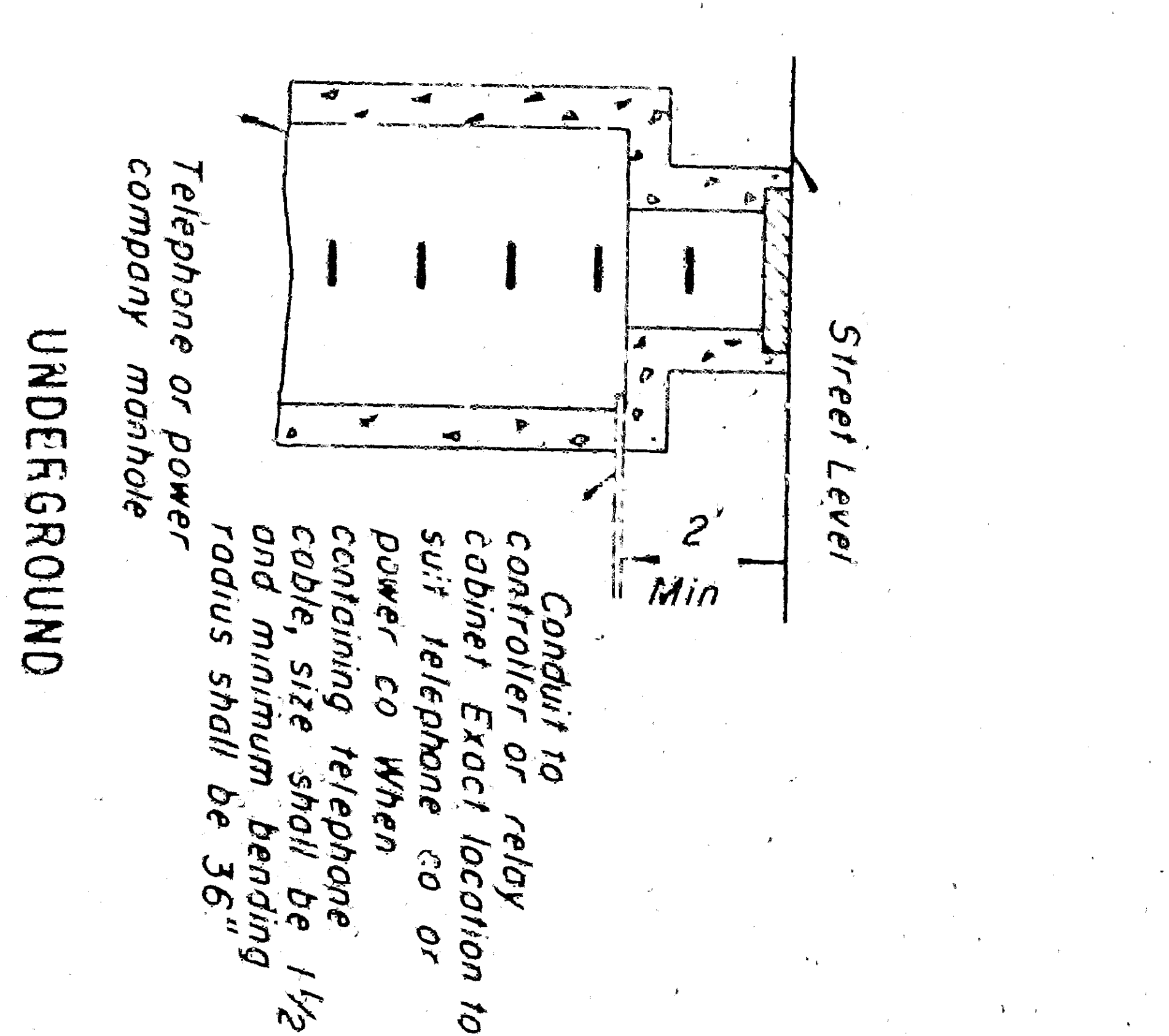
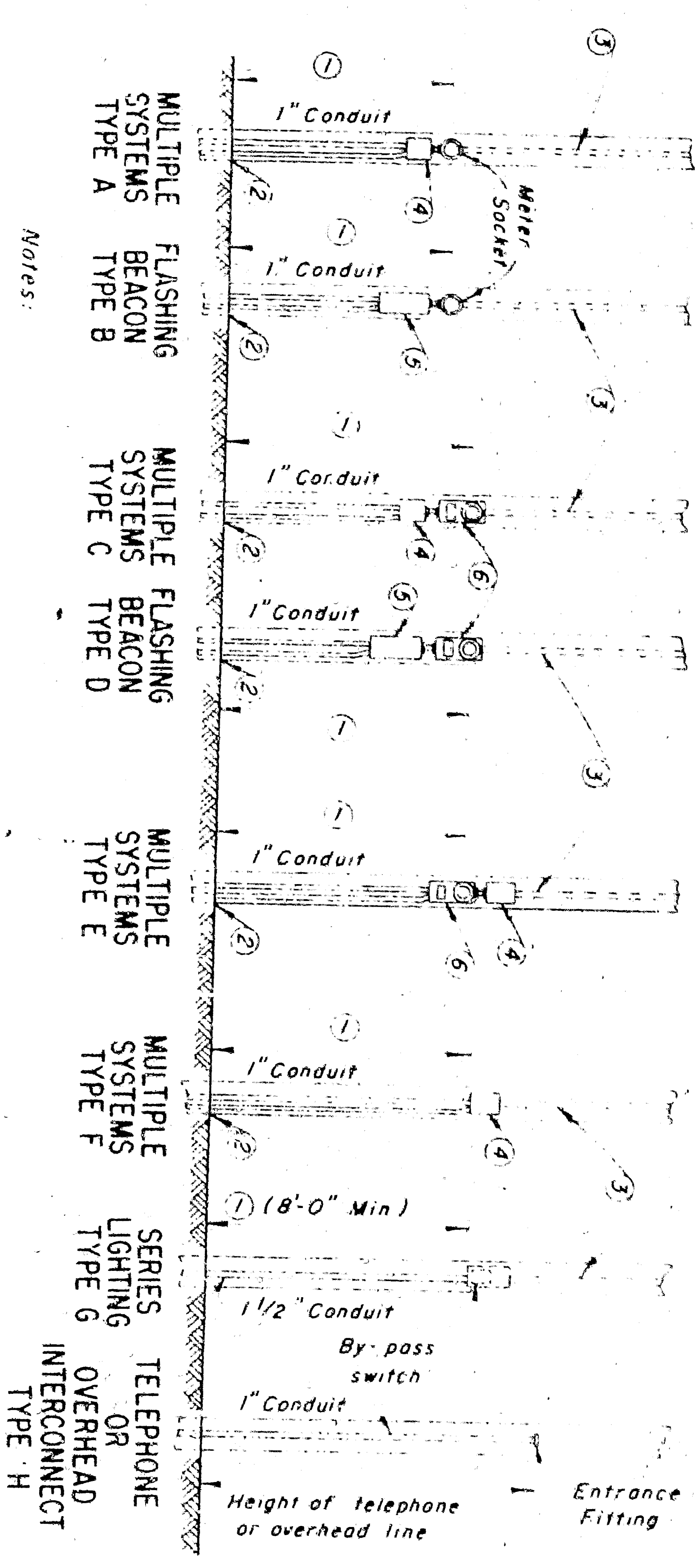
Notes:
When water pipe is used for ground, wire shall be wrapped in galvanized rigid conduit, or equivalent mechanical protection.
Rod or pipe electrodes shall be driven to a depth of at least 8 ft below surrounding grade.

SERVICE GROUNDING

NO SCALE

DATE	7	PROJECT NO.	1001	DATE	1962
BY	CAJIF				
CHKD					
APP'D					
DATE					

APPROVED: *[Signature]*
 ASSISTANT STATE HIGHWAY ENGINEER - C.E.LIC. NO. 5385
 TO ACCOMPANY PLANS DATED: December 1962



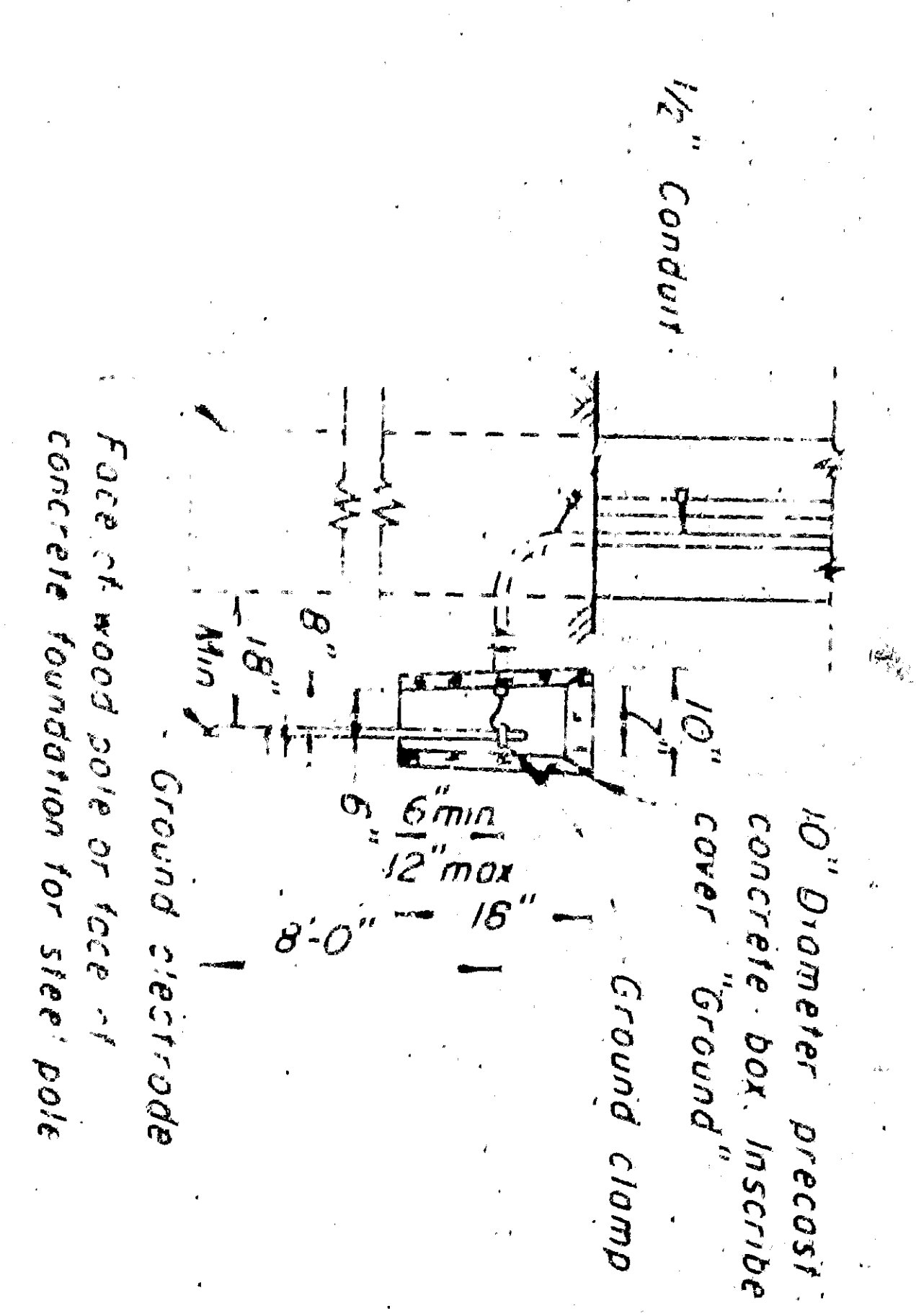
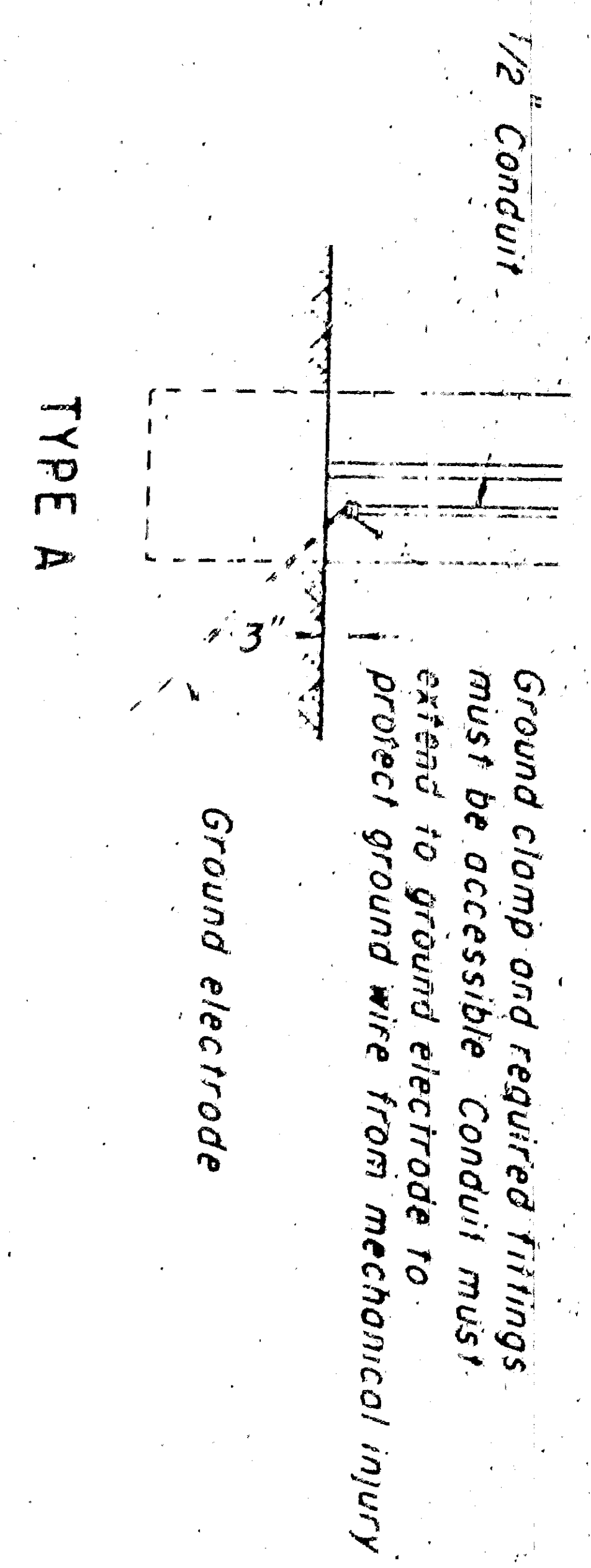
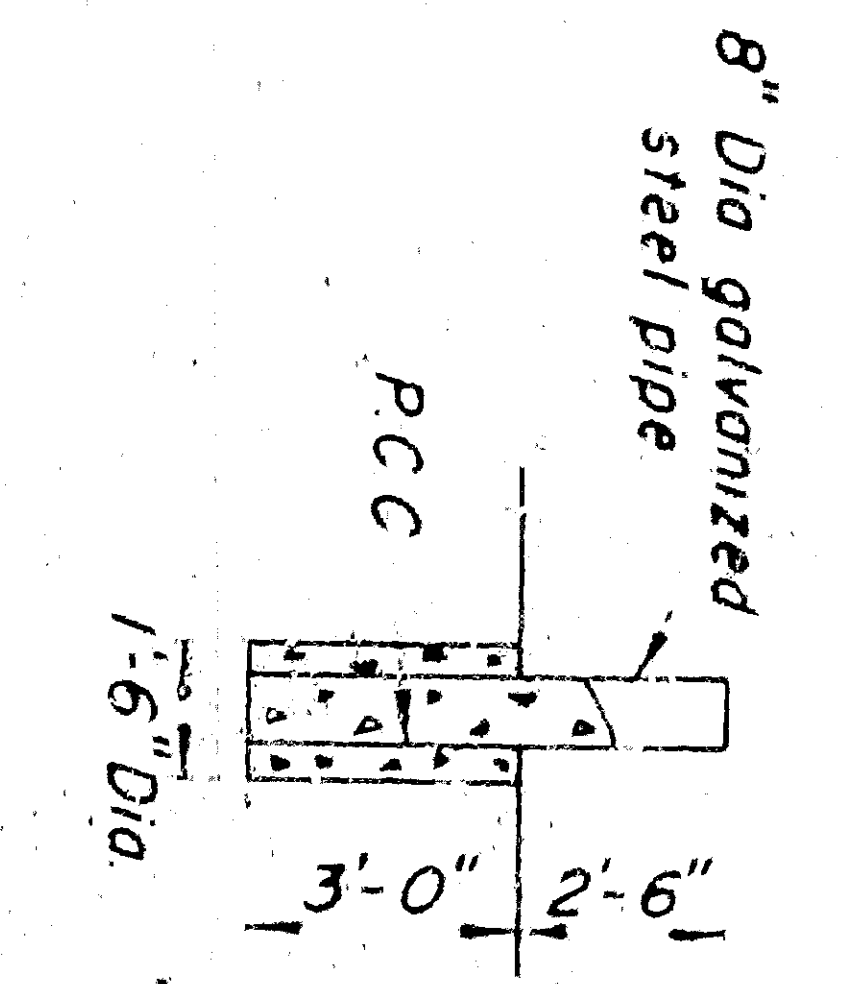
- Notes:
1. Position of service equipment to be determined by serving utility.
 2. See "Service Grounding" detail.
 3. If service pole is utility owned, service riser shall be furnished by contractor and installed by serving utility. On state owned poles, the service riser shall be furnished and installed by contractor. Service riser conduit shall be terminated with a service head or shall be sealed to prevent the entrance of water, as approved by serving utility.
 4. Service switch
 5. Flashing beacon control with service switch
 6. Meter socket box with either manual circuit closing device or space for test block as specified.

ELECTRICAL AND TELEPHONE SERVICE DETAILS

NO SCALE

GUARD POST

NO SCALE



Notes:
When water pipe is used for ground, wire shall be covered in galvanized rigid conduit, or equivalent mechanical protection.
Rod or pipe electrodes shall be driven to a depth of at least 8 ft below surrounding grade.

SERVICE GROUNDING

NO SCALE

DATE	7	PROJECT NO.	1001	DATE	12/1/58
BY	CHLIF				
CHKD		APPROVED			
DATE					
BY					
CHKD					
DATE					

APPROVED: *[Signature]*
 ASSISTANT STATE HIGHWAY ENGINEER - C.E.LIC. NO. 5385
 TO ACCOMPANY PLANS DATED: December 1962

STATE OF CALIFORNIA
 DEPARTMENT OF PUBLIC WORKS
 DIVISION OF HIGHWAYS

STANDARD DETAILS NC.1
 TRAFFIC SIGNAL AND
 HIGHWAY LIGHTING
 INSTALLATIONS

SCALE AS NOTED
 DRAWING NO. E -

Revised: _____
 Drawing No. 3436 Sheet 4 of 6 Sheets
 ES-1-2